








ORDER FORM

SUNBREAKER 210 ROTARY HORIZONTAL

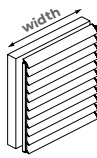
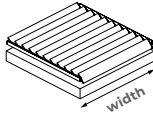
Refers to order no:

1. Select the type of blade and plugs

 TYP A	 universal
 TYP B	 universal*
	 TYP B

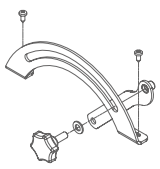
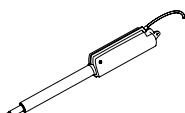
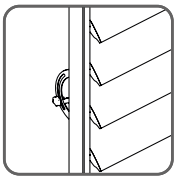
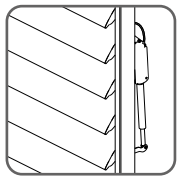
*does not cover the entire surface of the blade

2. Specify how the system is to be installed

 wall-mounted horizontal	 roof
---	---

The SUNBREAKER 210 system can be installed in a niche 3or on a substructure. NO BRACKETS FOR FAÇADE MOUNTING!!!

3. Select drive type

	
 MANUAL DRIVE	 MOTOR

4. On which blade is to be mounted the lever for the drive, counting from the bottom

It is not possible to mount a drive on the last upper blade

Determine on which blade it is to be mounted on drive lever from the bottom. A blank field indicates standard mounting, at half height.

It is not possible to mount a drive on the first blade

Direction of blade numbering




1 2 3 ...

4. Colour select



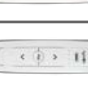

	BEIGE				WHITE		DARK GREY				ANTHRACITS				BLACK				BLACK	BROWNES				OTHER COLOUR RAL			
COLOUR FROM THE SELT COLLECTION	VSR 240	RAL 1015	RAL 1013	RAL 9001	RAL 9010	RAL 9016	RAL 7035	RAL 9006	RAL 7001	RAL 7037	RAL 9007	RAL 7012	DB 703	FSM 71319	RAL 7015	RAL 7039	RAL 7024	RAL 7016	RAL 7021	RAL 7043	RAL 7022	RAL 9005	RAL 8014	RAL 8016	VSR 780	RAL 8003	
Construction Colour																											
Colour of plastics																											

5. Automation




5.1. Wired control

	INIS switch flush mounted (RT)	<input type="checkbox"/>
	INIS WT switch with surface frame (RU) flush mounted (RT)	<input type="checkbox"/>
	Smooove switch UNO WT p/t flush mounted (RV) with surface frame (RU) flush mounted (RT)	<input type="checkbox"/>

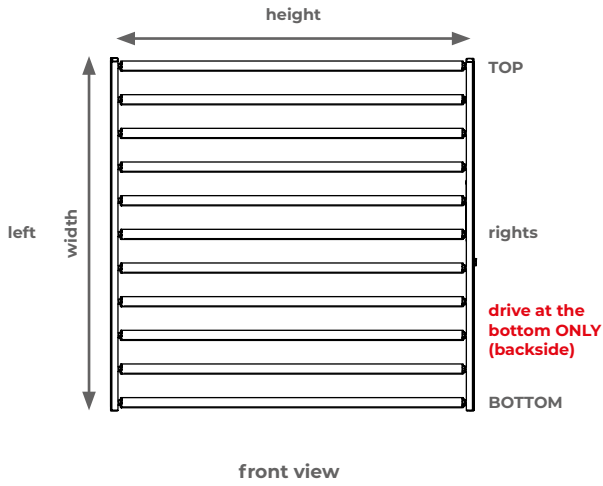
5.2. Somfy RTS radio control

	Remote control receiver flush mounted Universal Receiver RTS (FD)	<input type="checkbox"/>
	Remote control receiver Universal Slim Receiver RTS Stak3/Stas3 (FD)	<input type="checkbox"/>
	Single-channel remote control Situo 1 PURE (FP)	<input type="checkbox"/>
	Five-channel remote control Situo 5 PURE (FU)	<input type="checkbox"/>

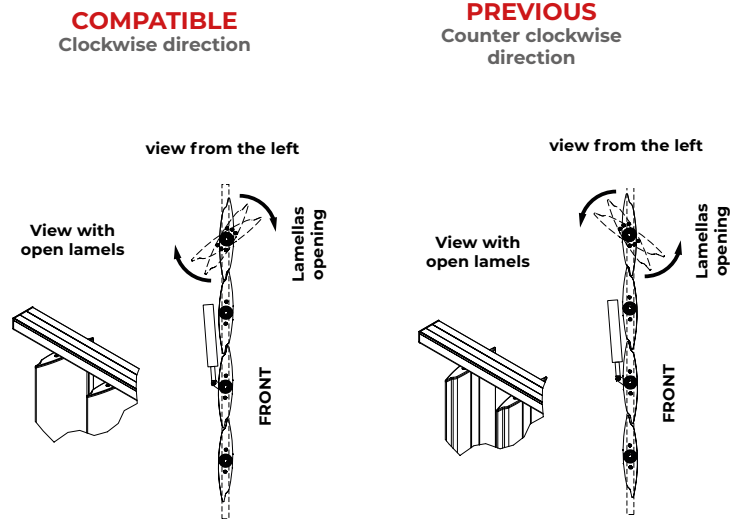
5.3. Somfy IO radio control

	Remote control receiver Pergola remote control receiver Slim receiver io (NT)	<input type="checkbox"/>
	Single-channel remote control Situo 1 io PURE II (3M)	<input type="checkbox"/>
	Five-channel remote control Situo 5 io PURE II (3S)	<input type="checkbox"/>

6. Specify on which side the drive is to be mounted



7. Determine the direction of rotation of the blades



The above drawing should be interpreted as a front projection of the system.

Mounting of the SUNBREAKER 210 system can be carried out in a niche or on a substructure. NO FACADE MOUNTING BRACKETS!!!

There is a choice of lamellas that open clockwise or counterclockwise, thus determining the side in which the lamellas open.

8. Specify the dimensions, number and side of the drive and the direction of opening of the lamellas.

QUANTITY [szt.]	WIDTH [mm]	HEIGHT [mm]	DIRECTIONS OF OPENING THE BLADES CLOCKWISE / COUNTECLOCKWISE	DRIVE MANUAL/MOTOR	DRIVE LEVER CONNECTION BLADE NUMBER
1					
2					
3					
4					
5					
6					
7					

Mounting of the SUNBREAKER 210 system can be carried out in a niche or on a substructure. NO FACADE MOUNTING BRACKETS!!!

Delivery address:

Remarks:

The Buyer declares that he is fluent in English, understands the statements made and received in English. He understands the content of the order placed and has familiarised himself with and accepts the General Terms and Conditions of Sale, the General Terms and Conditions of Guarantee and the Technical and Operational the General Terms and Conditions of Sale, the General Terms and Conditions of Guarantee, the Technical and Operational Documentation and the Declaration of Performance. Declaration of Performance. In the case of outdoor systems, the Declaration of Conformity in the case of for motor-operated systems, the Declaration of Conformity in the case of motor-operated systems, and the Information Sheet for Mounting of Securing Components for In-House Chain and Cord Systems, available at: www.selt.com/dokumenty-en.

SIGNATURE:

DATE:

SIGNATURE: